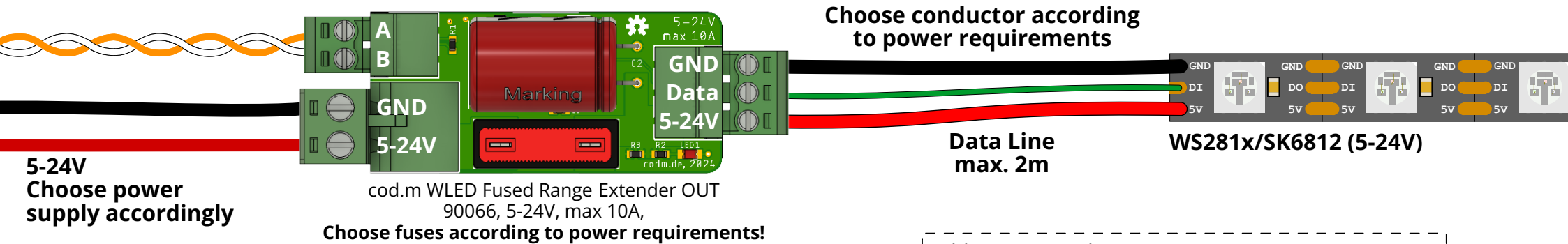
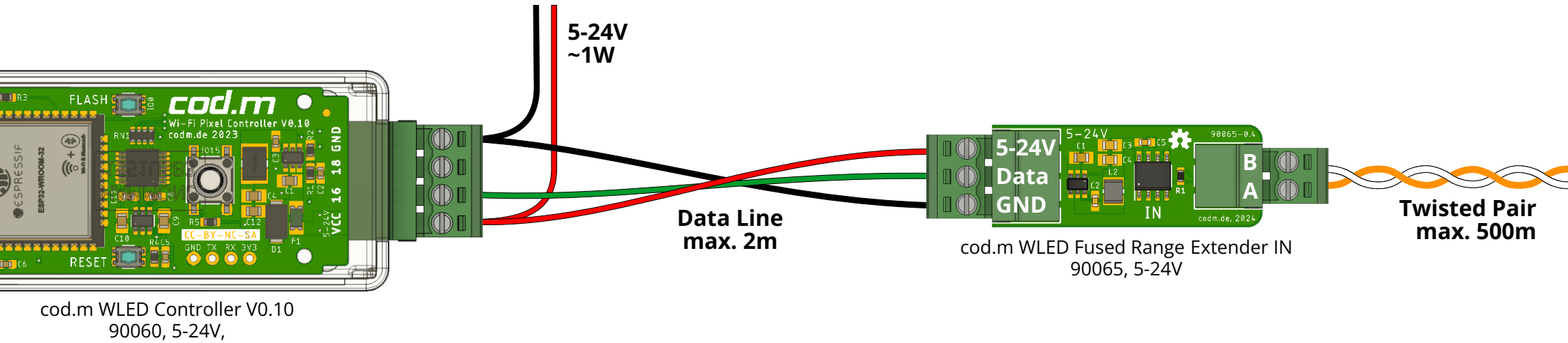


Wiring Scheme WLED Fused Range Extender V0.4

WS281x / SK6812 / etc., 5-24V



If there are signal instabilities, the terminating resistors can be connected on both sides using solder jumpers.

Add WLED Fused Capacitor Board (90062) to additional power connections.

ATTENTION: JST-SM connectors can be used with a maximum of 3A. Connect additional cables or avoid JST-SM connectors.